

## Diaphragm Seal Accessories

### PEK442



#### Applications

Flush rings are used for diaphragm seals in order to prevent clogging of the instrument connection.

The flush ring is mounted between the process flange and the diaphragm seal.

Flushing of process lines to avoid deposits or clogging.

Cleaning deposits off diaphragms

Measuring location calibration after separation from the process

#### Optional Features

Flushing connection with different female threads

Pipe plugs and various valves

Other sealing faces, e.g. RTJ

#### Standard Features

The flushing ports allow the washing out of particles accumulated in front of the membrane.

The pressure chamber can be vented or drained or filled with a cleaning liquid and subsequently flushed, depending on the requirement.

Various nominal widths and forms allow adaption to the respective process flange.

Standard flushing connection: 1/2 NPT female

Wide choice of special materials e.g., 316/316L

Sealing face: Acc. to ASME B 16.5 RF

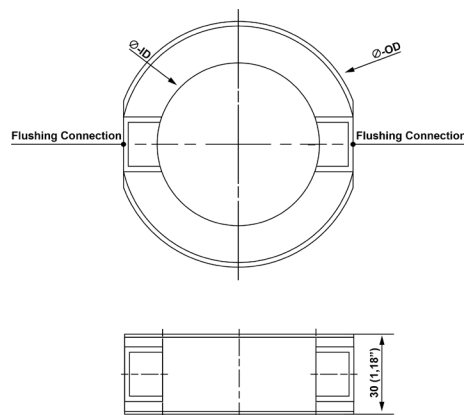
## Description

The model PEK442 flushing ring is mounted between the diaphragm seal (either flange-type or cell-type design) and the process flange using standardized sealings.

The flushing ring is available with one or two flushing bores located at the side. Deposits, especially those on the diaphragm, can be removed by flushing and cleaning in order to avoid any impairment of the measurement. Flushing rings with mounted valves extend diaphragm seal systems so that maintenance can be carried out with them still fitted.

By using the flushing ring with mounted valves and an upstream shut-off valve, calibration can be performed on-site.

## Standard Design - Flush Ring

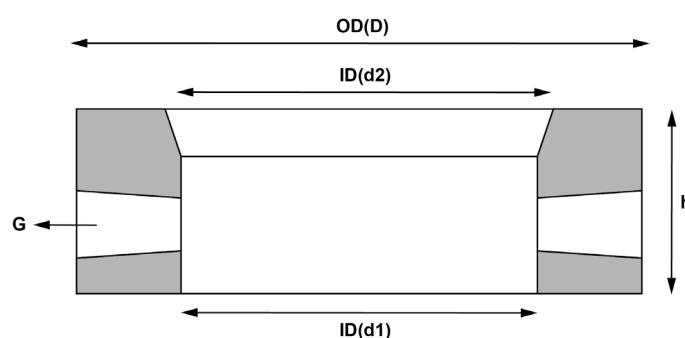


## Dimensions

### Dimensions & Flange Connection

Following ASME B16.5

NPS	Class	Dimensions in mm		
		OD (D)	ID(d)	h
1"	150 - 600	63.5	34	30
1 1/2"	150 - 600	73.2	42	30
2"	150 - 600	91.9	62	30
3"	150 - 600	127	92	30
4"	150 - 600	157.2	92	30
5"	150 - 600	185.7	126	30



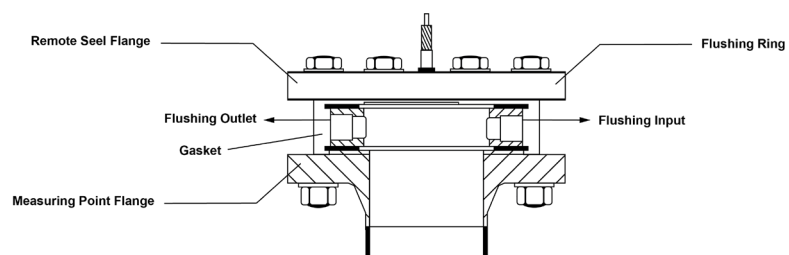
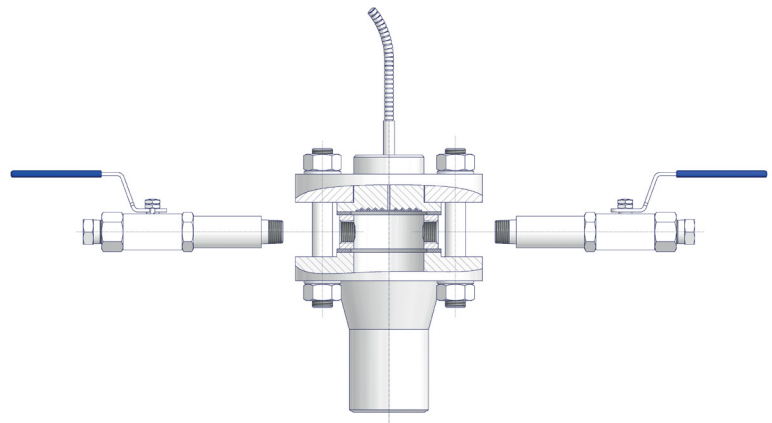
## Flushing Port

On one side or on both sides

## Female thread

- 1/2 NPT
- 1/4 NPT
- G 1/2
- G 1/4
- others on request

## Mounting Example - Flush Ring



## Ordering information

Model / Process connection (standard, nominal width, nominal pressure rating) / Sealing face form / Material / Flushing bore / Valve mounting / Plug screw / Options

### For Example:

PEK442-2.0-RF-SS-2-V-1/2 F

Model : PEK442

2.0 : 2" pipe

RF : Raised face

SS : Material is 316 stainless steel

2 : Two flushing ports

1/2 F : 1/2" NPT female

---

**Pars Electronic Kish**

Unit, No. 20, Qavam pour Alley, North  
Sheikh Bahai St, Tehran, Iran

Tel: +9821-88613511  
Fax: +9821-88602547  
info@parsek.org  
www.parsek.org

